

# Medium multi-purpose tethered drone



System model: T100

## 1. Solution Advantages

1. Long flight hover

The ground continuously provides power to the drone, allowing it to hover in the air 24 hours a day

2. Multiple ways to power supply

380V power supply, generator power supply

3. High security

Mounted under the drone, plug and play, supports hot and cold start, and seamlessly switches the fuselage battery when power is off

## 2. Main features

1. The system only retains the input switch, high voltage switch and cable retracting knob, easy to operate and can be deployed quickly. Users only need to operate the drone, which can greatly improve work efficiency and safety.

2. The product is integrated, has high power density, is miniaturized, lightweight, modularization and intelligently designed, and is easy to carry.

3. The onboard power supply adopts a voltage-stabilizing circuit solution, with wide-range input, constant voltage-stabilizing output, and continuous and stable power supply (the backup battery is only used for safe emergency landing, and can be configured with sufficient safe landing capacity), breaking the flight time limit.

4. The power supply in the base station adopts an isolated circuit design to ensure the safety of high-voltage power transmission.

## 3. System Configuration

1. 30kg net load drone set

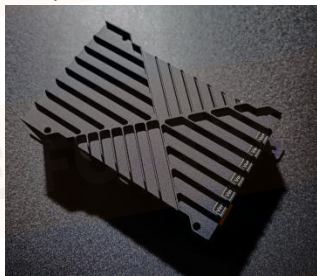
2. 10kw 14S Air power

3. Tethered UAV System Base Station, together with Transportation box

## 4. Specifications

### Tethered system

Air power



Onboard power supply size 254\*135\*58mm

Weight of onboard power supply 2300g

Rated output power 10KW

Rated output voltage 14S stable

efficiency 96%

Power off protection function During the flight of the drone, if the ground power supply is abnormally interrupted, the drone can fly and land normally

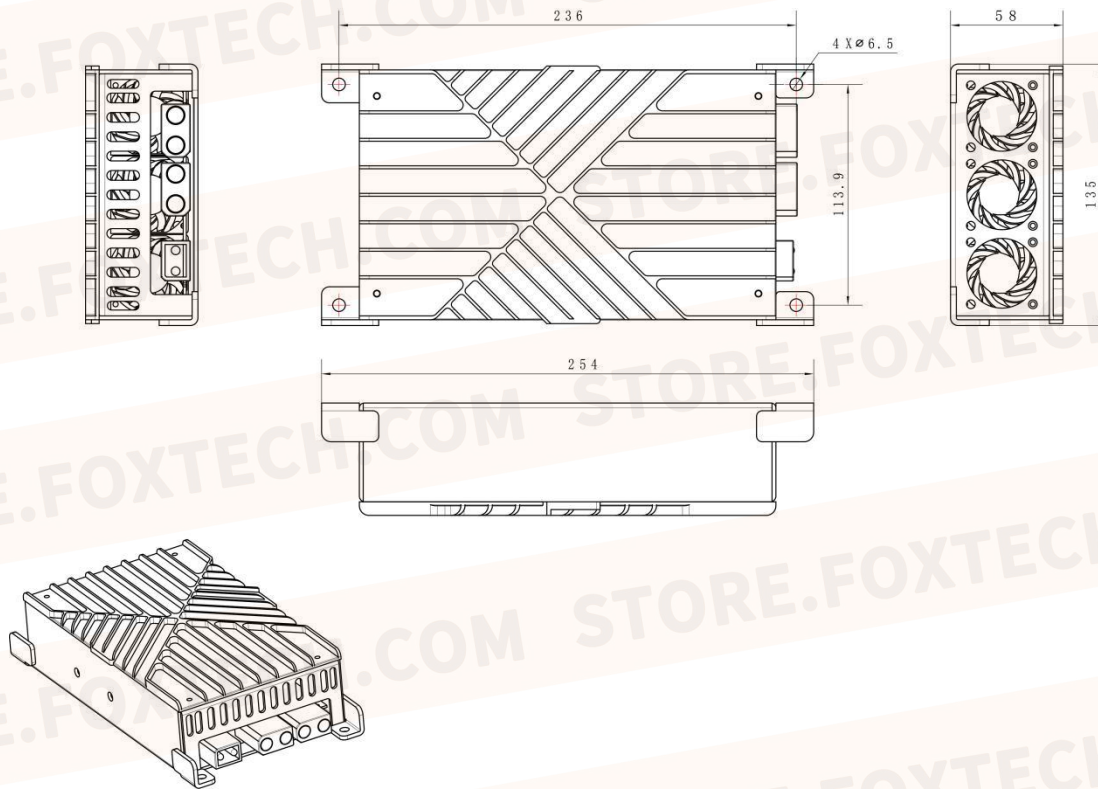
Output overvoltage protection 110% rated voltage self-recoverable

Output overcurrent protection 170A self-recoverable

Over temperature protection 100°C

Output reverse polarity protection Terminal foolproof

Output short circuit protection Yes, self-recovery



<p>Dimensions</p>	<p>68.6x44.8x49.2cm</p>
<p>Power supply</p>	<p>AC380V Power supply. Continuous flight time is not less than 24hrs; 1000V DC; 20KW</p>
<p>Height</p>	<p>Max.350m</p>
<p>Tethered Station</p>	<p>Electric-Optical option Automatic cable reeling and unreeling function</p> <ul style="list-style-type: none"> <li>● Power on, one-button start, automatic voltage compensation(*patent)</li> <li>● The internal menu can display voltage, current, cable length and temperature.(*Patented, error less than 5%)</li> <li>● With over-current, over-voltage, short-circuit and over-temperature protection</li> </ul>
<p>Highlights</p>	<p>Automatic pay-off and take-up system</p>

- With observation window, can be manually closed cable, reeling in without power supply
  - Protection level: IP43
  - Turbocharged ventilation and cooling
- 55kgs tethered base station

weight

